

Characteristics

Direct operated pressure relief valves series R1E02 are seated type valves typically used for remote control of pilot operated pressure valves or compensators of variable pumps. In applications where the reliability and simplicity of a hydraulic remote control are preferred to an electro-hydraulic system the R1E02 series is an ideal solution.

Features

- Seated type valve
- Body variants:
 - front panel mounting
 - subplate mounting
- 3 pressure stages
- 3 adjustment modes:
 - hand knob
 - acorn nut with lead seal
 - cylinder lock

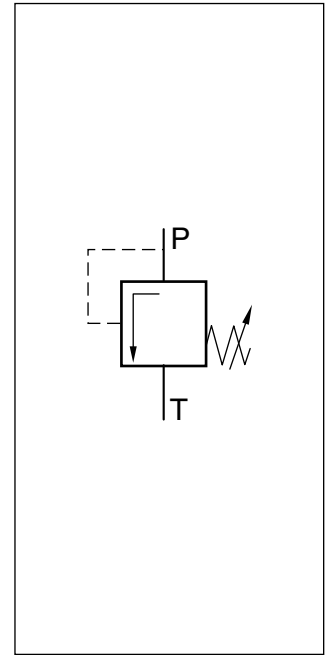
4



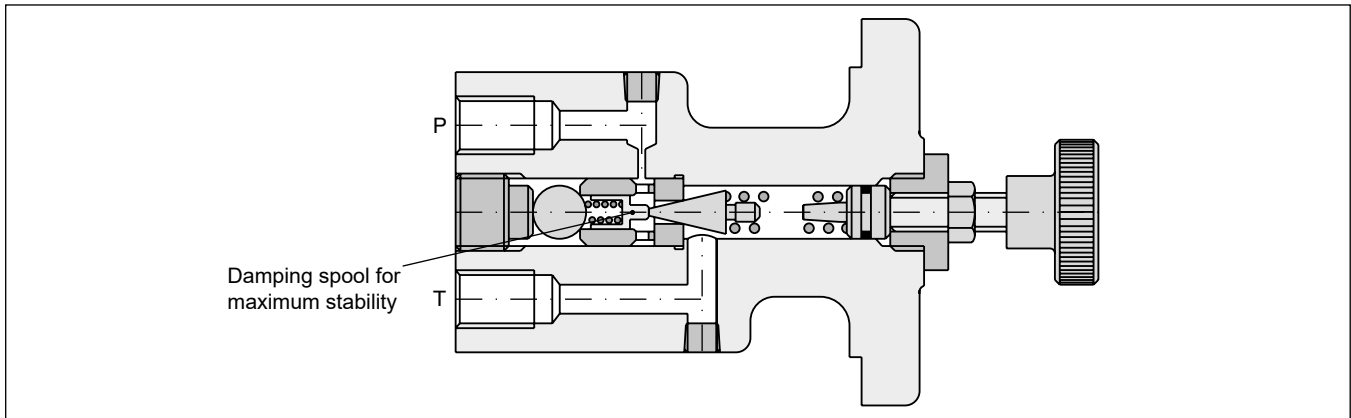
Front panel mounting



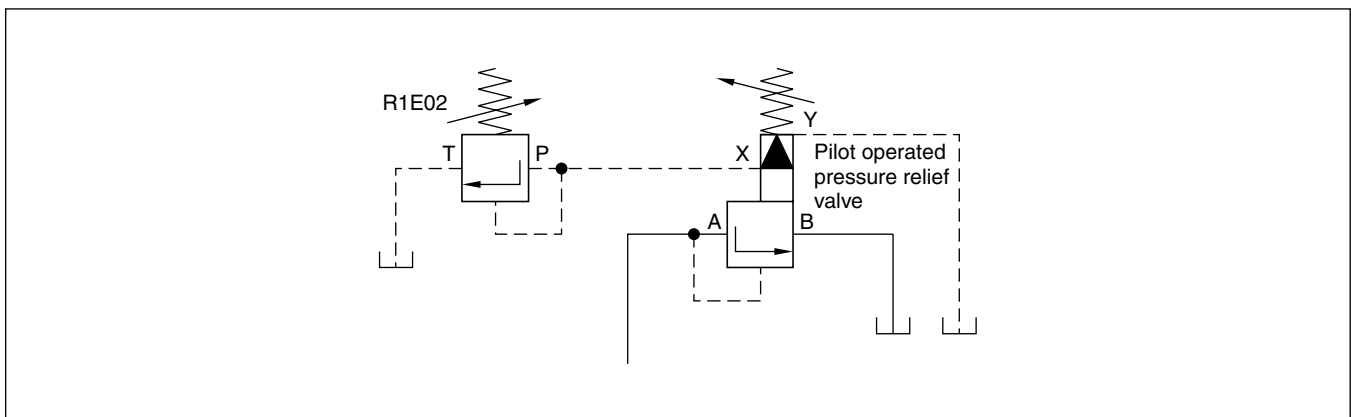
Subplate mounting



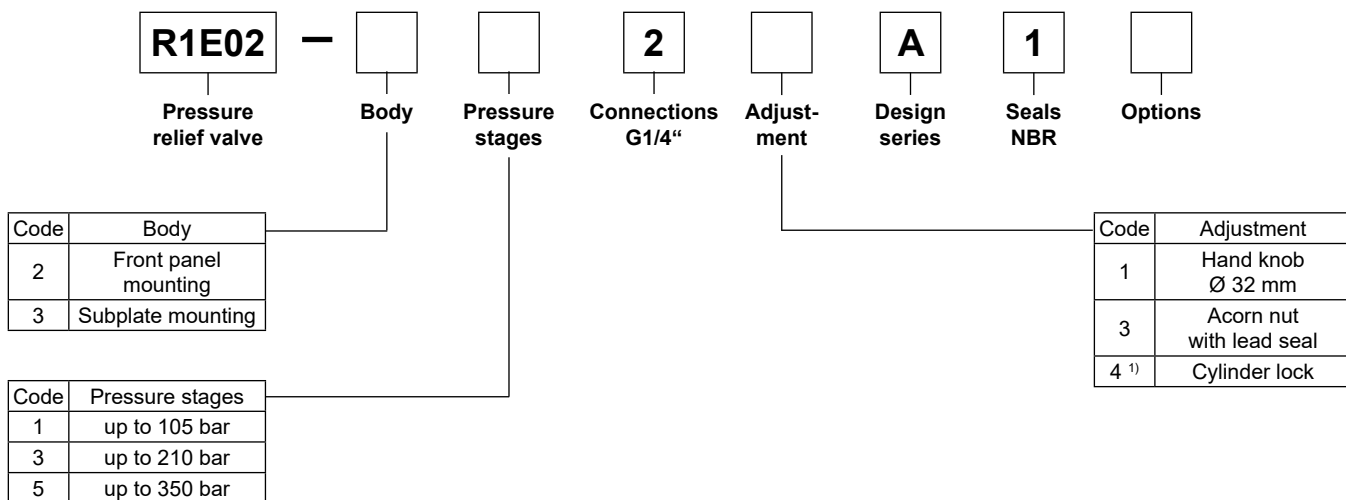
R1E02, front panel mounting



Typical application as remote pilot valve



Ordering code

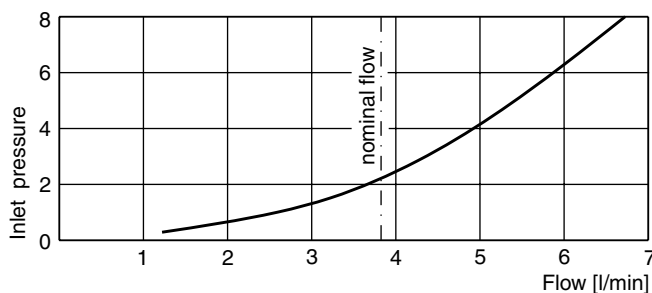


¹⁾ On bodies for subplate mounting use plate S16-64188 if necessary.

Technical data

General	
Design	Direct operated relief valve, seated type
Nominal size	1/4"
Body variants	Front panel mounting Subplate mounting
Mounting position	unrestricted
Ambient temperature	[°C] -20...+60
MTTF _D value	[years] 150
Weight	[kg] 2.1 1.0
Hydraulics	
Max. operating pressure	[bar] Port P 350, Port T depressurized
Pressure stages	[bar] 105, 210, 350
Fluid temperature	[°C] -25...+70
Nominal flow	[l/min] 3.8
Fluid	Hydraulic oil according to DIN 51524
Minimum setting pressure	[bar] 7
Viscosity permitted	[cSt] / [mm ² /s] 20...400
Viscosity recommended	[cSt] / [mm ² /s] 30...80
Filtration	ISO 4406 (1999); 18/16/13

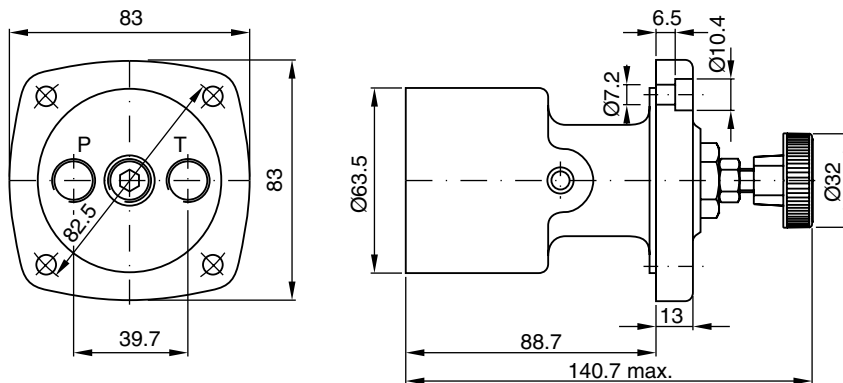
Typical system pressure in relation to flow



Measured with HLP46 at 50 °C.

Dimensions

Front panel mounting

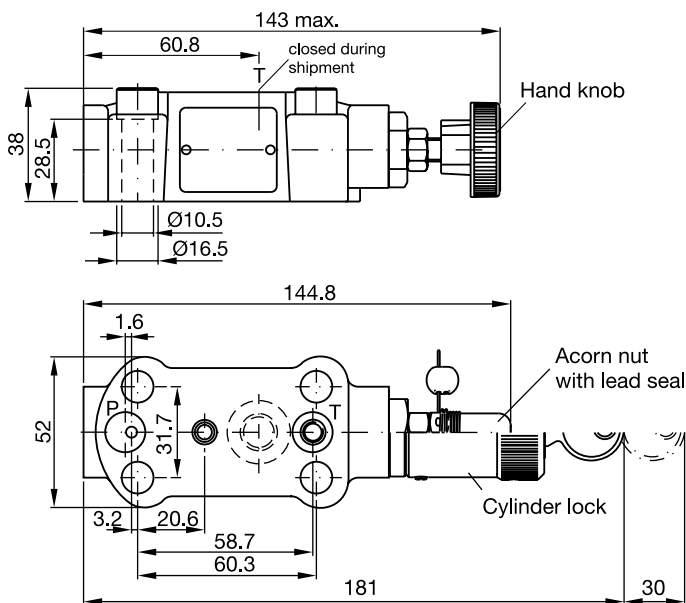


Ports P and T: G1/4"

○ Kit
S26-58466-0

4

Subplate mounting



○ Kit
S16-91963-0

